



The High-Lifter 625 is designed and built to make the most demanding tasks easy and safe. With class leading travel a care giver can easily transfer from an emergency floor situation to chair or bed. The standard power leg opening actuator makes it effortless to maximize a stable secure platform to suit your working environment.

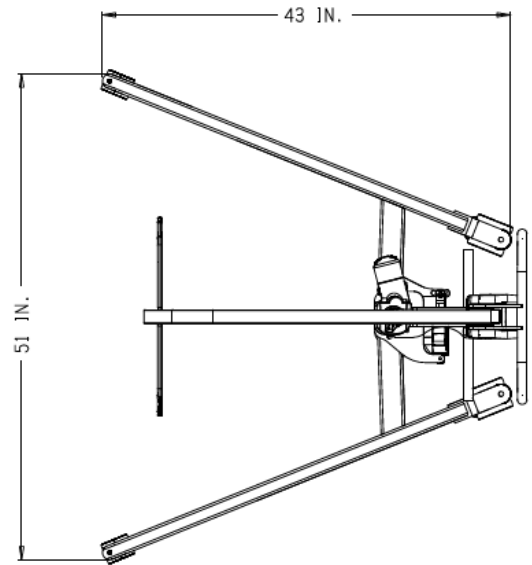
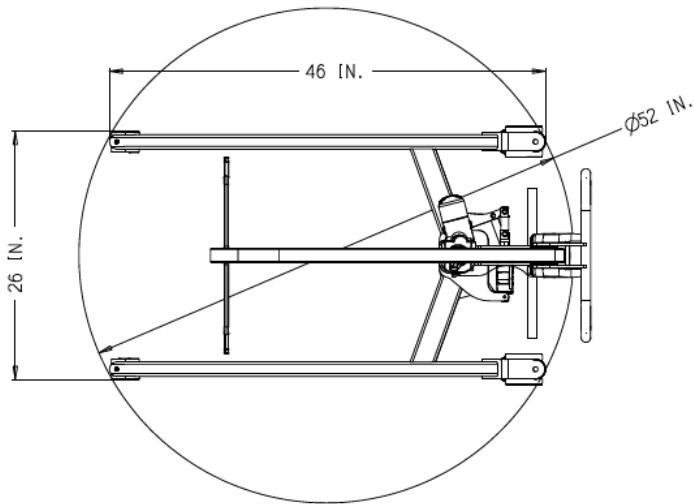
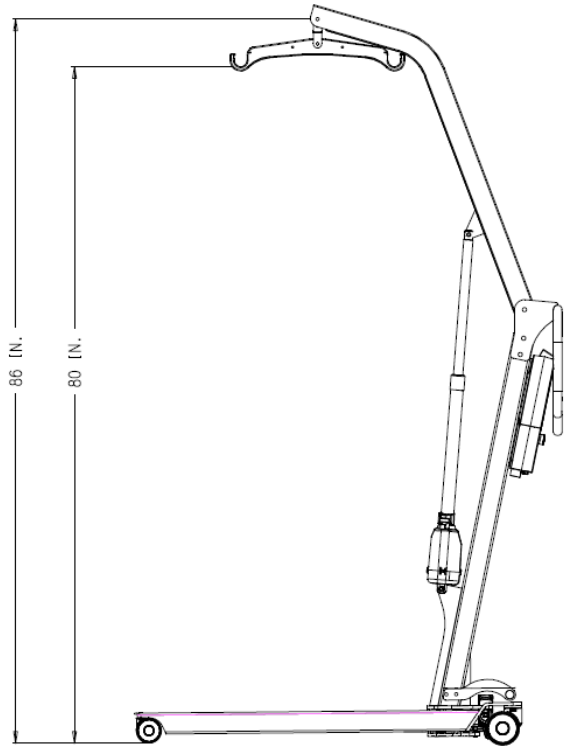
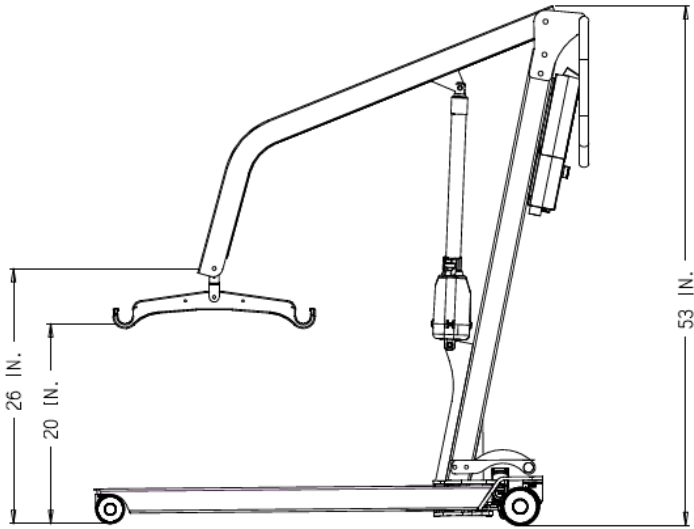
Product Information		Product Information	
Capacity	625lbs (284kg)	Finish	Polyester Powder Coat, Baked
Safe Working Load:	Model High-Lifter: 625lbs (284kgs)	Emergency Stop Switch	Standard
Operation:	Electric Actuator	Emergency Up/Down Switch	Standard
Casters:	3" (75mm) dual caster	Spreader bar	2 point standard , 6 point optional;
Casters:	4" (100mm) dual locking caster	Anti-Free Wheel Safety System:	Standard
Power Source:	Removable 24V Battery	Remote Hand Controller:	Standard
Charger:	24V CSA/UL Approved	Warranty:	5 Year construction warranty
Overall Weight:	Model High-Lifter 110lbs-50kg	Warranty:	2 Year electronic warranty
Construction:	Rectangular Steel Tubing		



Manufactured in Canada/USA

High- Lifter 625

Copper House Holdings



Manufactured in Canada/USA